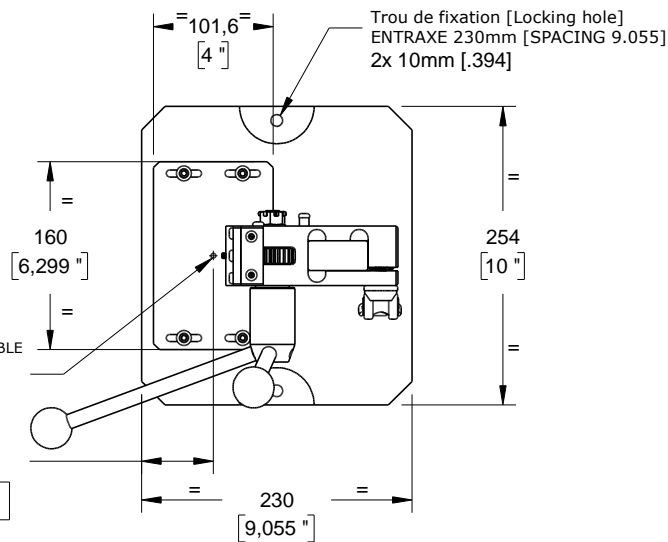
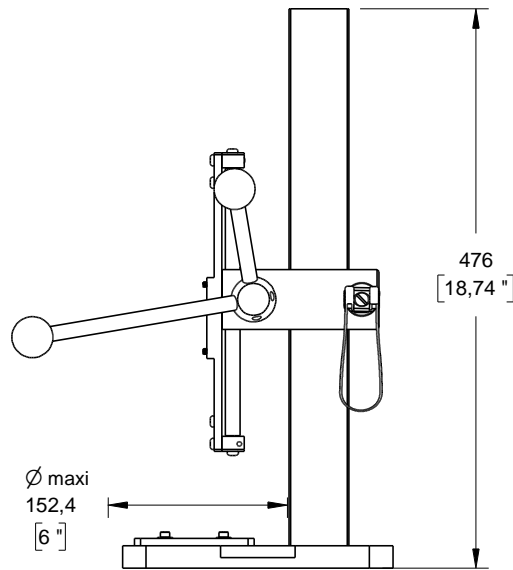
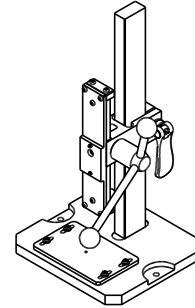


TEX555

CAPACITY: 2224N [500lbs]
TRAVEL: 177.8mm [7"]
TRAVEL /CRANCK REV. : 100mm/REV.[3.15"/REV.]
MAXIMUM HEIGHT WITH CENTOR: 381mm [15"]
WHEIGHT: 7kg [15.4lbs]



Drawn name:		Assembly name:	
NOMENCLATURE[BOM]		TEX555	
 <small>Information des Documents, ZA de Compagnie 13127 Vitrolles Mail : design@andi-log.com</small>			
		Date of creation:	
		24/05/2012	
Rev:	Date:	Description:	Ref assembly:
2	21/01/2014	CHANGE FORMAT	TEX555

Rev:	Date:	Description:
2	21/01/2014	CHANGE FORMAT