

1

2

3

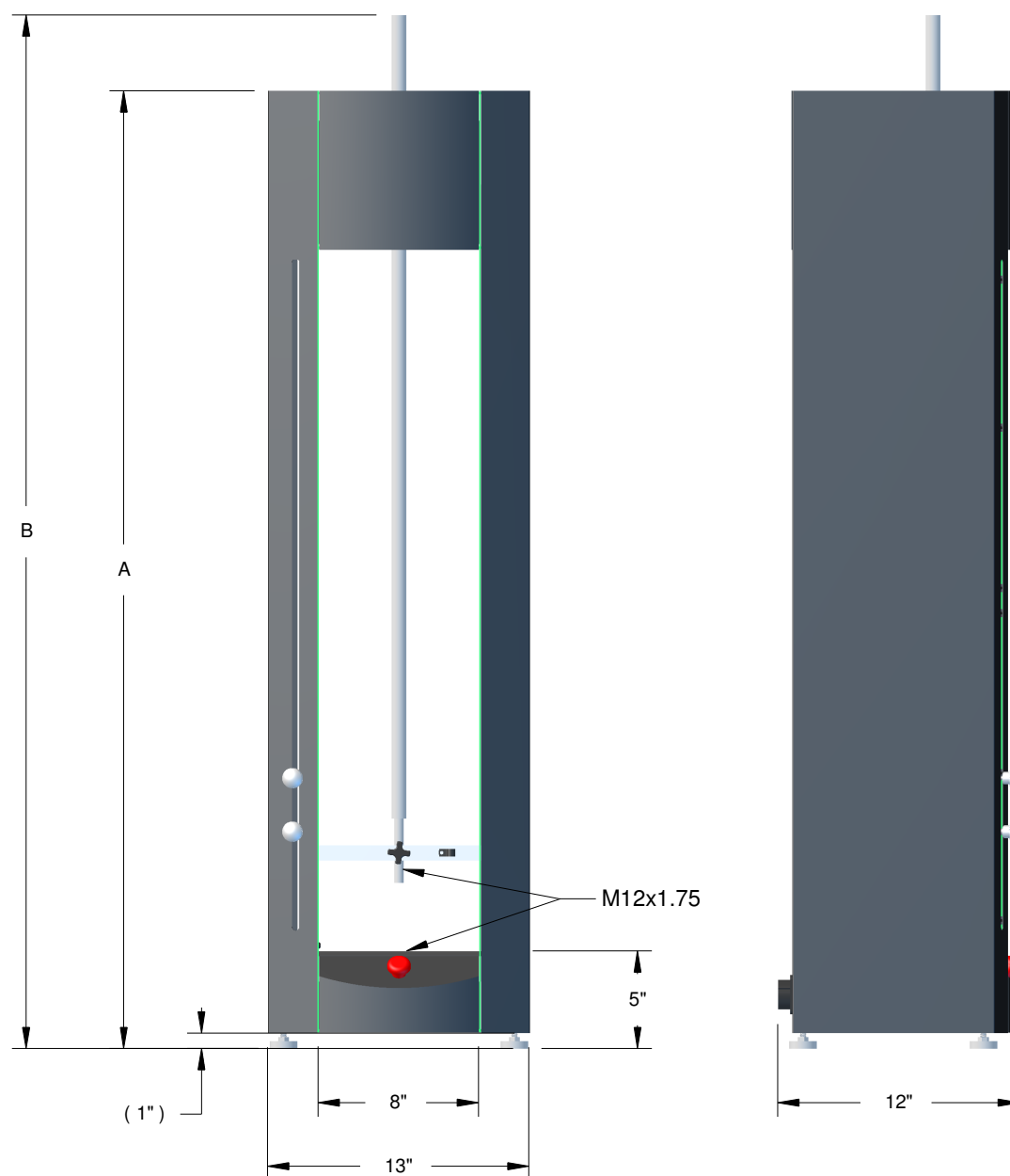
4

TEST STAND MOTORIZED T-DRIVE

CAPACITY: 1000/ 2000/ 4000 lbs 5/ 10/ 20 KN
TRAVEL: 20/ 30/ 40 in 508/ 762/ 1016 mm
WEIGHT: 82lb/ 88lb/ 94lb 37/ 40/ 43 KG
HEIGHT (A): 38/ 48 / 58 in 965/ 1219/1473 mm
MAXIMUM HEIGHT (B): 60/ 80 /100 in 1524/ 2032/ 2540 mm

DIMENSIONS TABLE

WORKABLE WIDTH: 8 in 203 mm
THREAD ON TABLE: M12 x 1.75



Drawn name:	Assembly name:
FICHE PRODUIT	T-DRIVE
Date of creation:	
21/09/2017	

Rev:	Date:	Description:	Drawn by:	Item:	Ref assembly:
1	21/09/2017	ORIGINE	ANDILOG		

1

2

3

4

1

2

3

4

DRIVETOUCH

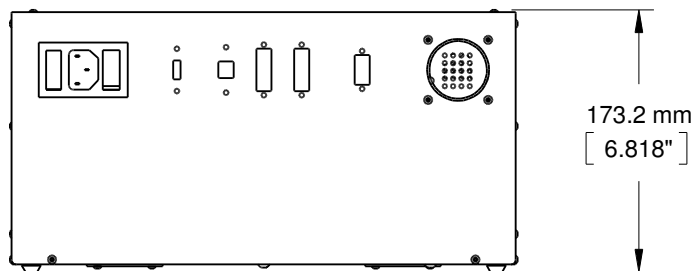
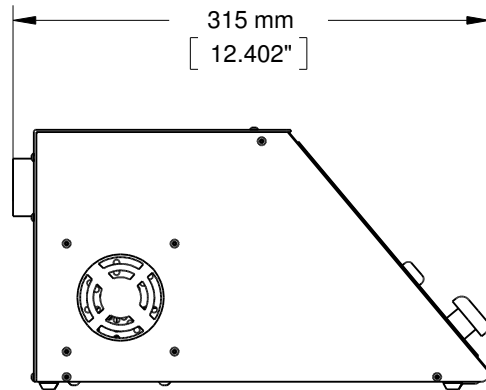
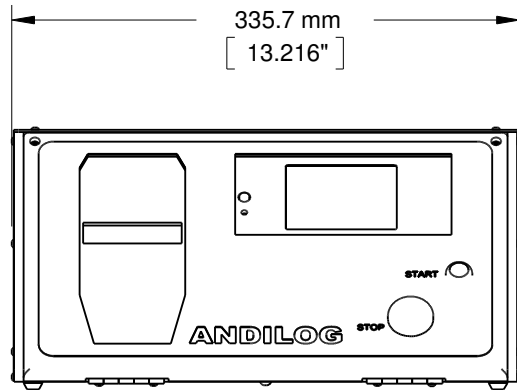
Boîtier de commande avec afficheur tactile de mesure pour système motorisé.
[Controller with touch screen for motorized test system]



POWER SUPPLY:

110V 8.1A/220V 3.9A

WEIGHT:

7kg [15.4lbs]



Drawn name:		Assembly name:	
FICHE PRODUIT		Drivetouch	
Date of creation:		28/07/2016	
 			
Drawn by:	Item:	Ref assembly:	
CA		DRIVETOUCH	

1 28/07/2016

ORIGINE

Rev: 2 Date: 22/09/2017 Description: AD USB & CONNECTORS POSITIONS CHANGES

1

2

3

4