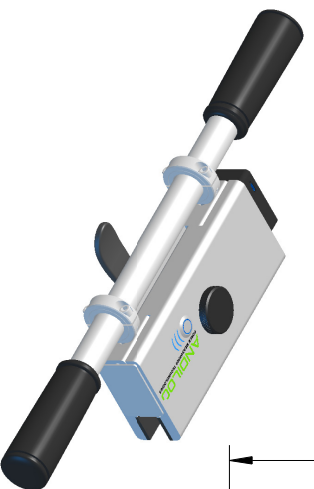
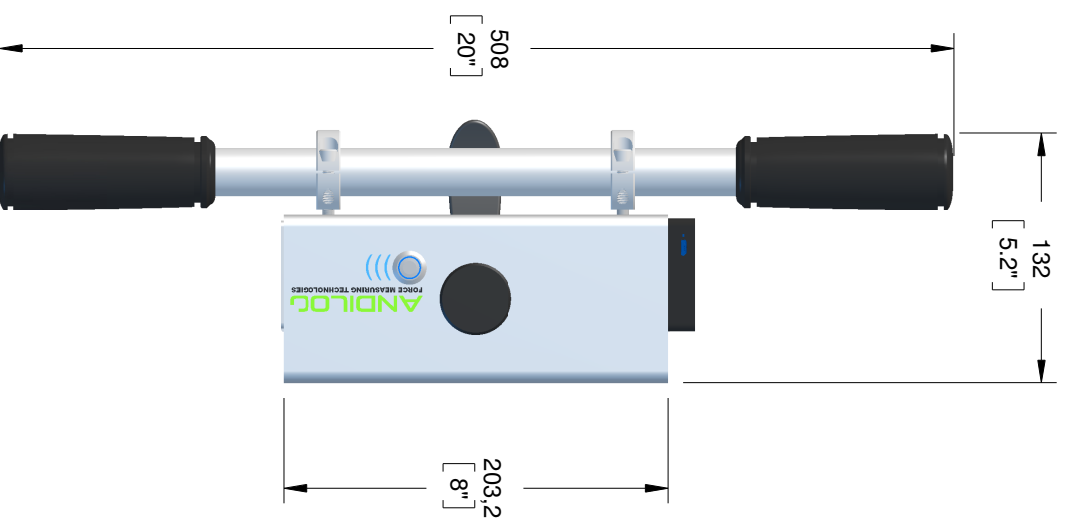
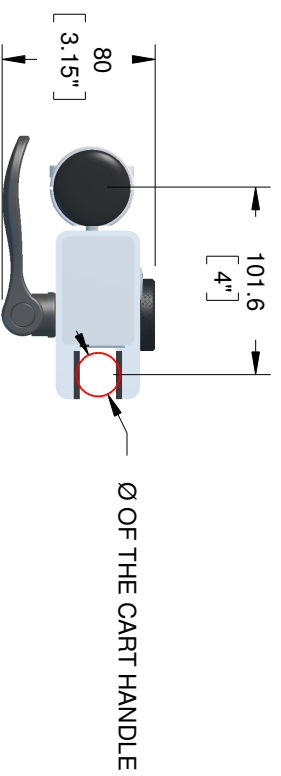


1 2 3 4

ERGOBAR

CAPACITY: 500N [112lbs]
DIAMETER OF THE CART HANDLE: Ø19.05 to 25.4mm [Ø0.75 to 1"]
WIRELESS RANGE: 20m [65ft]
ACCURACY: 0.5%FS
WHEIGHT: 2.2kg [4.9lbs]



Rev:	Date:	Description:	Drawn name:	Item:	Ref assembly:
1	29/05/2018	ORIGINE	ANDILOG	ANDILOG	ERGOBAR

DATA SHEET	Assembly name:
ANDILOG FORCE MEASURING TECHNOLOGIES	Assembly Ergobar
COM-TEN INDUSTRIES	Date of creation: