

1

2

3

4

DRIVETWIST

CAPACITY:

0.35Nm to 40Nm

ANGLE RESOLUTION:

0.1°

SPEED:

0.1tr/min to 4.5tr/min

(36°/MIN to 1620°/min)

MAXIMUM DIAMETER OF THE SAMPLE : **180mm[7.09 inch]**

MAXIMUM LENGTH OF THE SAMPLE: **200mm[7.9 inch] with accessoires**

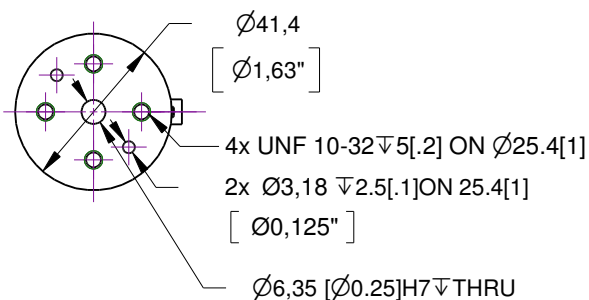
WEIGHT :

16kg[36lbs] up to 12Nm 18kg[39.7lbs]above

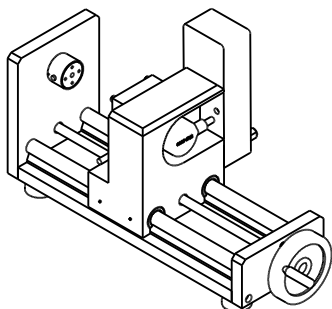
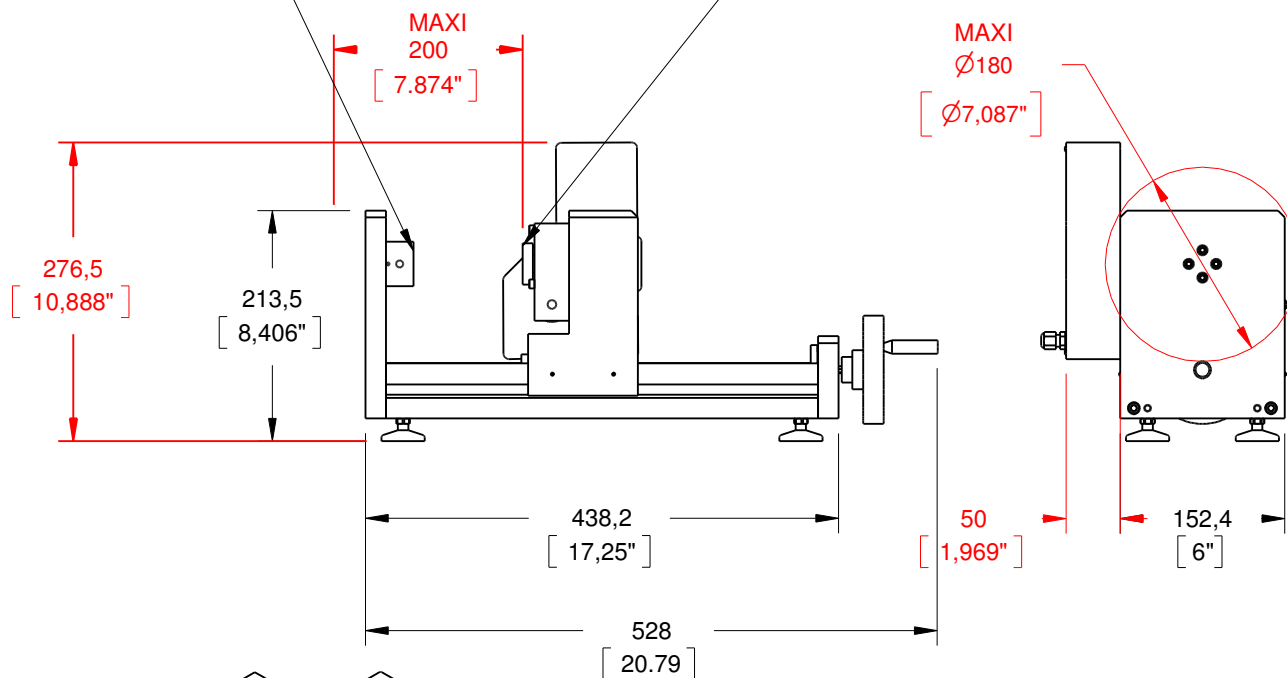
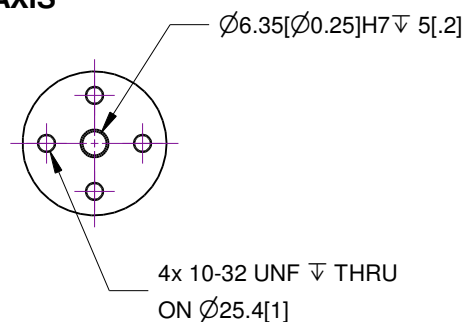
POWER SUPPLY:

110/220V

SENSOR



TWIST AXIS



Drawn name:

Assembly name:

FICHE PRODUIT

DRIVETWIST

ANDILOG COM-TEN
 FORCE MEASURING TECHNOLOGIES INDUSTRIES

Date of creation:

13/07/2016

Rev:

3

Date:

02/09/2016

Description:

ADD INFORMATIONS

Drawn by:

CA

Item:

Ref assembly:

1

2

3

4

1

2

3

4

DRIVETOUCH

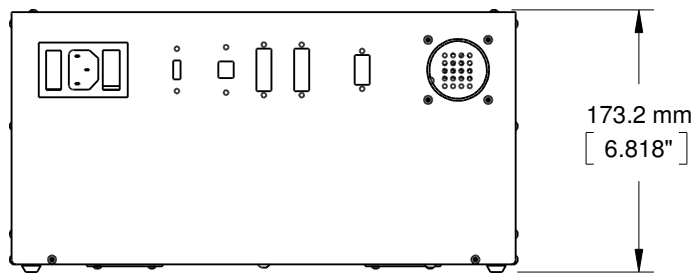
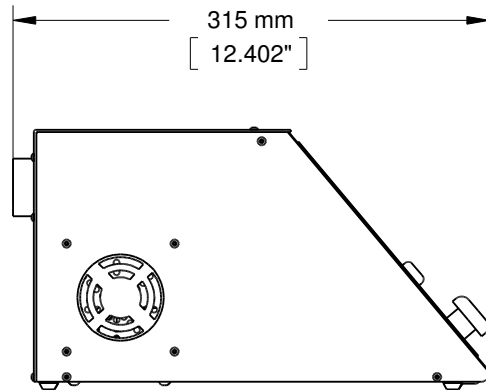
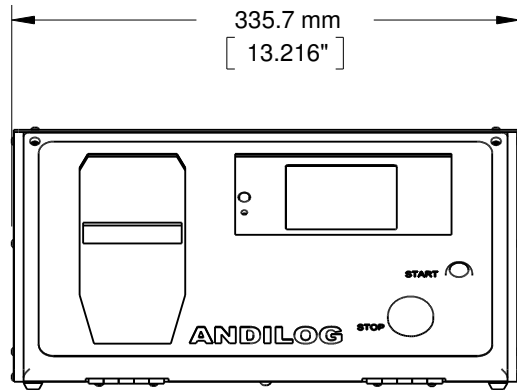
Boitier de commande avec afficheur tactile de mesure pour système motorisé.
[Controller with touch screen for motorized test system]



POWER SUPPLY:

110V 8.1A/220V 3.9A

WHEIGHT:

7kg [15.4lbs]



Drawn name:		Assembly name:	
FICHE PRODUIT		Drivetouch	
Date of creation:		28/07/2016	
 			
Drawn by:	Item:	Ref assembly:	
CA		DRIVETOUCH	

1	28/07/2016	ORIGINE
2	22/09/2017	AD USB & CONNECTORS POSITIONS CHANGES

1

2

3

4

A

A

B

B

C

C

D

D

E

E

F

F