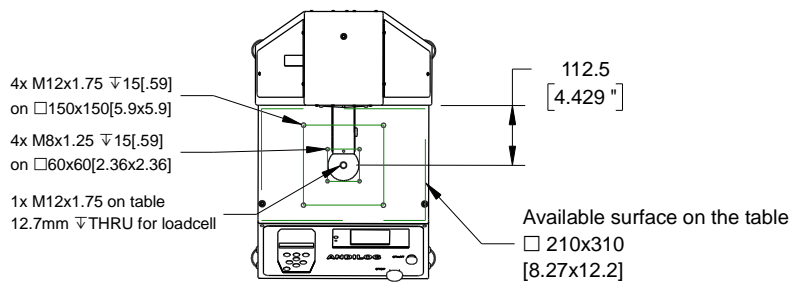
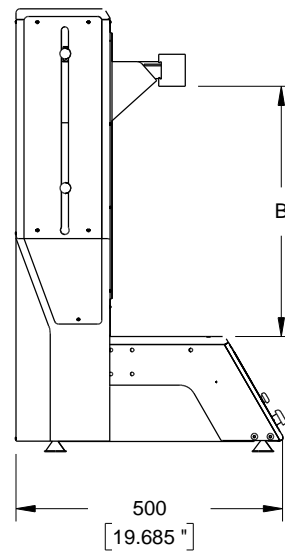
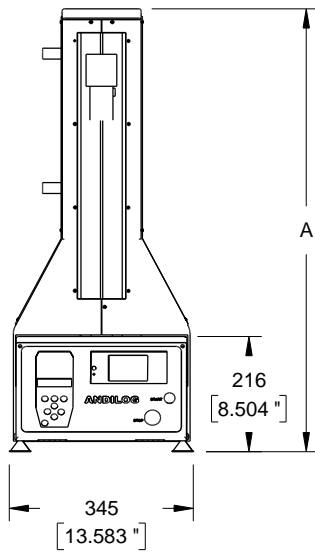


# STENTOR II

<b>CAPACITY:</b>	<b>1/2/5KN</b>	<b>200/500/1000lb</b>
<b>TRAVEL:</b>	<b>200/300/300mm</b>	<b>7.9/11.8/11.8in</b>
<b>WEIGHT:</b>	<b>30/40/45KG</b>	<b>66/88/100lb</b>
<b>HEIGHT (A):</b>	<b>851/951/951mm</b>	<b>33.5/ 37.44 /37.44 in</b>
<b>MAXIMUM HEIGHT (B):</b>	<b>350/450/450mm</b>	<b>13.8/17.7/17.7in</b>

## DIMENSIONS TABLE

<b>WORKABLE WIDTH:</b>	<b>210x310mm</b>	<b>8.27x12.2in</b>
<b>THREAD ON TABLE:</b>	<b>1x M12/ 4x M8 /4x M12</b>	



Drawn name:	Assembly name:
FICHE PRODUIT	
<b>ANDILOG COM-TEN</b> FORCE MEASURING TECHNOLOGIES	Date of creation: 14/04/2016

Rev:	Date:	Description:	Drawn by:	Item:	Ref assembly:
1	14/04/2016	ORIGINE			STENTOR II