

1	2	3	4
RevNo	Revision note	Date	Signature
			Checked

A

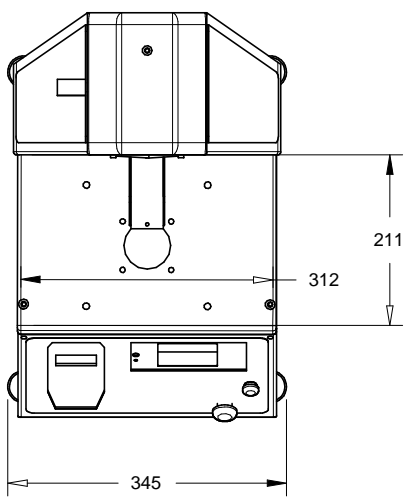
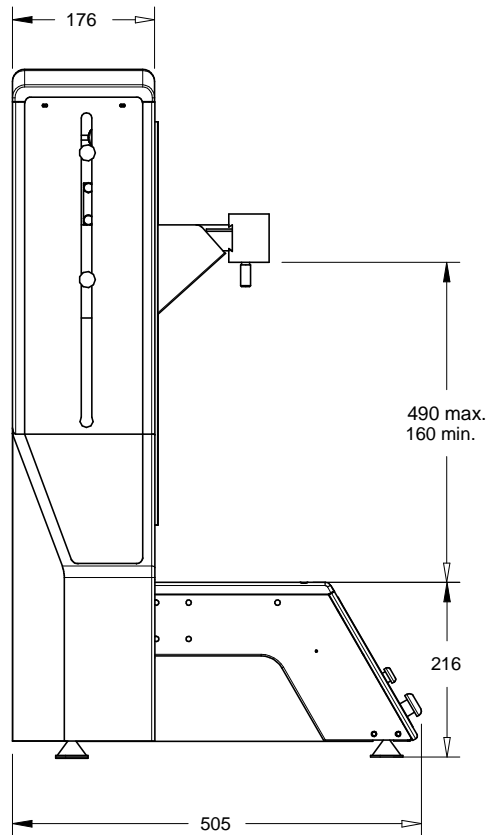
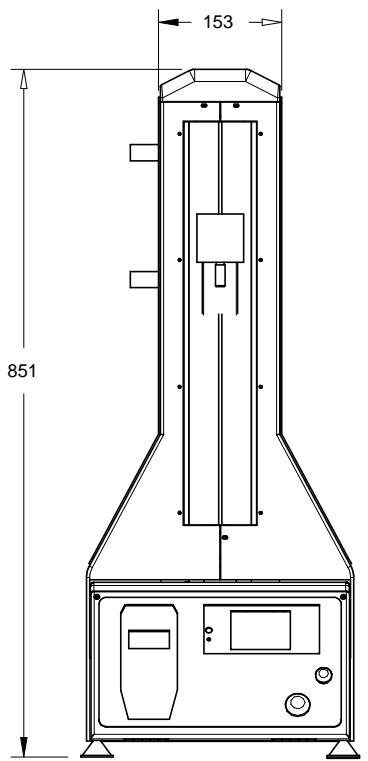
B

C


D

E

F



- Unité : millimètre

Itemref	Quantity	Title/Name, designation, material, dimension etc			Article No./Reference	
Drawn by Clint	Checked by	Approved by - date	File name	Date 05/01/2010	Scale 1/8	
				DIMENSIONS		
				STENTOR 1000	Edition 1	Sheet A4